



**WORK GRIPPER**

# Work Gripper AS series

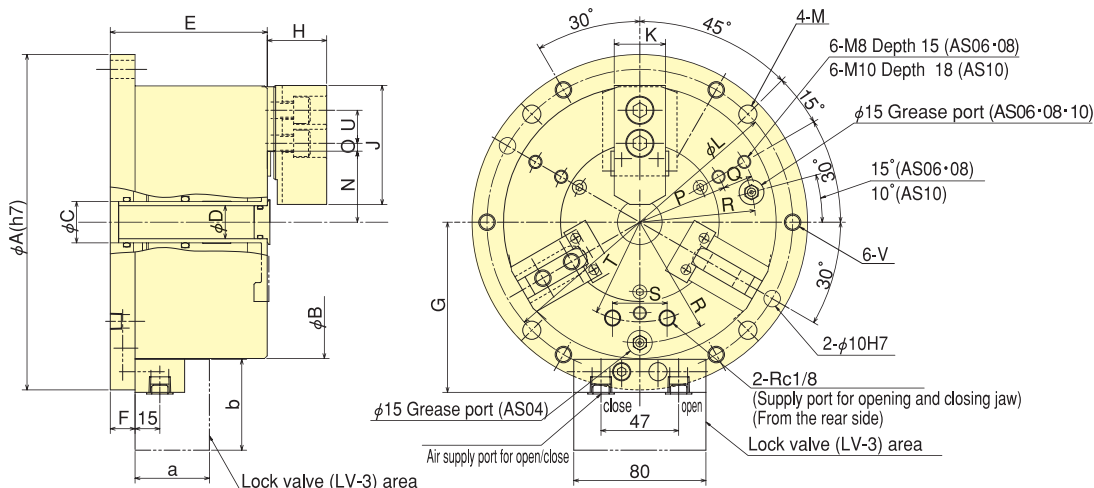
## Pneumatically operated stationary chuck Can be used as an alternative to a fixture

- Small and lightweight design, with inbuilt air cylinder
- Easy mounting by air piping
- Hollow structure optimal for bar workpiece and air blow
- Standard Soft Jaw for Power Chuck is used
- Lock valve unit ensures constant and regular gripping force in all machining conditions

\* CE correspondence



### Dimensional Drawings



### Dimensions

\*The dimensions of a/b marked are the size of LV-3(Lock-valve).

Model	Dimensions	$\phi A$ (h7)	$\phi B$	$\phi C$ (H7)	$\phi D$	E	F	G	H	J	K	$\phi L$ ( $\pm 0.2$ )	$\phi M$	N max.	N min.	O max.	O min.	P	Q	R
AS04		148	110	20H7	-	90	15	75.5	27	55	23	130	9	25.5	22.9	9.75	6.75	-	-	43
AS06		203	165	25H7	20	95	15	103	36	72	31	185	11	44.5	41.9	9.25	4.75	55	18	70
AS08		248	210	36H7	30	106	15	125.5	42	95	35	230	11	53	49.85	14.75	8.75	68	25	90
AS10		300	254	50H7	43	110	16	147.5	46	110	40	280	13	66	62.85	16	8.5	85	30	110

Model	Dimensions	S	T	U	V	a	b
AS04		33	34	14	M8	45	55
AS06		33	60.3	20	M10	45	55
AS08		33	80	25	M10	45	55
AS10		33	95	30	M12	45	55

### Specifications

\*Air Consumption = Under Pressure 0.6MPa Plunger Stroke per 10mm

Model	Specifications	Jaw Stroke (diameter) mm	Gripping Force (Pneumatic at 0.6MPa (0.6kgf/cm <sup>2</sup> )) kN (kgf)	Net Weight (kg)	Max. air pressure MPa (kgf/cm <sup>2</sup> )	Matching Soft top jaw	Gripping range (mm)		Air consumption (Nℓ)
							Max.	Min.	
AS04		5.2	7.5 ( 765)	7.3	0.7 (7.0)	SB04B1	110	10	0.40
AS06		5.2	21.0 (2140)	16.0	0.7 (7.0)	SB06B1	165	23	1.04
AS08		6.3	33.0 (3365)	27.7	0.7 (7.0)	SB08B1	210	30	1.81
AS10		6.3	48.0 (4895)	42.5	0.7 (7.0)	SB10A1	254	50	2.52